

FCC Compliance Statement

This equipment has been tested and found to comply with the limits for a Class B digital device, pursuant to Part 15 of the FCC Rules. These limits are designed to provide reasonable protection against radio frequency interference in a residential installation. This equipment generates, uses, and can radiate radio frequency energy. If not installed and used in accordance with the instructions, it may cause interference to radio communications. However, there is no guarantee that interference will not occur in a particular installation. If this equipment does cause interference to radio or television reception (this can be determined by turning this equipment off and on), the user is encouraged to try to correct the interference by one or more of the following measures:

- Reorient or relocate the receiving antenna.
- Increase the separation between this equipment and the receiver.
- Connect this equipment to an outlet on a circuit different from which the receiver is connected to.
- Consult the dealer or an experienced radio/TV technician for help.

Caution:

To comply with the limits for an FCC Class B computing device, always use the shielded signal cord and shielded power cord supplied with this unit.

Caution to the user:

The Federal Communications Commission warns the user that changes or modifications to the unit not expressly approved by the party responsible for compliance could void the user's authority to operate the equipment.

Notice of Compliance Canadian Interference-causing Equipment Regulations

DOC Compliance Notice:

This digital apparatus does not exceed the Class B limits for radio noise emissions from digital apparatus set out in the Radio Interference Regulations of the Canadian Department of Communications.

DOC Avis de Conformation

Le présent appareil numérique n'émet pas de bruits radioélectriques dépassant les limites applicable aux appareils numériques de la class B prescrites dan le Règlement sur le brouillage radioélectriques édicté par le ministère des Communications du Canada.

Trademark

IBM, PC, PS/2, PS/V, Personal System/2, and XGA are registered trademarks of International Business Machines Corp. Windows and Windows NT are either registered trademarks or trademarks of Microsoft Corporation in the United States and other countries.

Apple Macintosh is a registered trademark of Apple Computer, Inc.

Quadra is a trademark of Apple Computer, Inc.

UNIX is a registered trademark in the United States and other countries, licensed exclusively through X/Open Company Limited.

ENERGY STAR is a U.S. registered mark.

Quick Setup (IBM/IBM Compatible under Windows 95/98)

Please Read Carefully When Setting Up Your New Monitor

AGM12TG Monitor Screen Adjustment and Resolution Setting Procedure for IBM/IBM Compatible Computers with Windows based OS system.

Before adjusting the monitor, all the necessary drivers should be installed to your System and resolution has to be set to manufacturer's recommended preset of 800 x 600 @ 60Hz, 70Hz, 72Hz, 75 Hz or 85Hz.

To change the resolution to its factory recommended preset.

1. On a Windows 95 or 98, press right button on a Mouse to execute the Pop-up menu.
2. Press "**Properties**" to execute the "**Display Properties**"
3. Press "**Setting**" and change the resolution to 800 x 600.
4. Press "**Apply** or **OK**" to select and press "**OK**" to keep the selected resolution.
5. Go back to "**Display Properties**" - "**Setting**" - "**Advanced properties**" - "**Adapter**"
6. On Adapter property, change the refresh rate to 60Hz, 70Hz, 72Hz, 75 Hz or 85Hz. If you don't have these options, choose "**Adapter Default**". (60Hz recommended)

Screen Adjustment Procedure

1. Execute Windows 95 or 98
2. Press "Start" and "Shut Down" – It will display moire on screen
3. Push "Select up or Select down" **button on the monitor to execute the User's Control On-Screen-Display and highlight "Auto setup" then push "+"**.
4. **If you still don't have a clear display monitor, please refer to setup 5.**
5. **Press "Select up or Select down" button to highlight the "Frequency" (2nd page of OSD, 3rd item) then push "+". Using (+ or -) to adjust "Frequency". The "Frequency" will reduce or get rid of vertical display noise (Jail bars). Then adjust "Phase" (2nd page of OSD, 4th item), the "Phase" will reduce or get rid of horizontal display noise (Snowy effect) in the screen.**
6. **If the screen is not center, push "Select up or Select down" button on the monitor to execute the User's Control On-Screen-Display and highlight the "H. Position" or "V. Position". Using (+ or -) to adjust "H. position" (2nd page of OSD, 1st item) or "V. Position" (2nd page of OSD, 2nd item) to center the screen.**
7. **Exit the OSD by push the highlight "Exit" then "+"**.

Quick Setup (IBM/IBM Compatible under Windows NT 4.0)

Please Read Carefully When Setting Up Your New Monitor

AGM12TG Monitor Screen Adjustment and Resolution Setting Procedure for IBM/IBM Compatible Computers with Windows based OS system.

Before adjusting the monitor, all the necessary drivers should be installed to your System and resolution has to be set to manufacture's recommended preset of 800 x 600 @ 60Hz, 70Hz, 72Hz, 75Hz or 85Hz.

To change the resolution to its factory recommended preset.

1. On a Windows NT 4.0, press right button on a Mouse to execute the Pop-up menu.
2. Press **"Properties"** to execute the **"Display Properties"**
3. Press **"Setting"** and change the resolution to 800 x 600.
4. Change **"Refresh Frequency"** to 60Hz, 70Hz, 72Hz, 75Hz or 85Hz. (60Hz recommended)

Screen Adjustment Procedure

1. Execute Windows 95 or 98
2. Press "Start" and "Shut Down" – It will display moire on screen
3. Push "Select up or Select down" **button on the monitor to execute the User's Control On-Screen-Display and highlight "Auto setup" then push "+"**.
4. **If you still don't have a clear display monitor, please refer to setup 5.**
5. **Press "Select up or Select down" button to highlight the "Frequency" (2nd page of OSD, 3rd item) then push "+". Using (+ or -) to adjust "Frequency". The "Frequency" will reduce or get rid of vertical display noise (Jail bars). Then adjust "Phase" (2nd page of OSD, 4th item), the "Phase" will reduce or get rid of horizontal display noise (Snowy effect) in the screen.**
6. **If the screen is not center, push "Select up or Select down" button on the monitor to execute the User's Control On-Screen-Display and highlight the "H. Position" or "V. Position". Using (+ or -) to adjust "H. position" (2nd page of OSD, 1st item) or "V. Position" (2nd page of OSD, 2nd item) to center the screen.**
7. **Exit the OSD by push the highlight "Exit" then "+"**.

Precautions

- **Read all of these instructions and save them for later use.**
- **Follow all warnings and instructions on the product.**
- **Product**
 - **Do not cover or block the vent holes in the case.**
 - **Do not insert sharp objects or spill liquid into the LCD monitor through cabinet slots. They may cause accident fire, electric shock or failure.**
 - **Disconnect the power plug from the AC outlet if you will not use it for an indefinite period of time.**
 - **Do not attempt to service this product yourself, as opening or removing covers may expose you to dangerous voltage points or other risks.**
 - **Do not touch the screen directly with your fingers. You may damage the screen, and oil from your skin is difficult to move.**
 - **Do not apply pressure to the screen. The LCD is very delicate.**
- **Power adapter**
 - **Use the type of power adapter, which supplies from manufacturer for safety and electronic issue.**
- **Plugs**
 - **Do not remove any of the prongs of the monitor's three-pronged power plug.**
 - **Disconnect the power plug from the AC outlet under following conditions:**
 - ◆ **If you will not use it for an indefinite period time.**
 - ◆ **When the power cord or plug is damaged or frayed.**
 - ◆ **If the product does not operate normally when the operating instructions are followed. Adjust only those controls that are covered by the operating instructions. Improper adjustment of other controls may result in damage and will often require extensive work by a qualified technician to restore the product to normal operation.**
 - ◆ **If the product has been dropped or the cabinet has been damaged.**
 - ◆ **If the product exhibits a distinct change in performance, indicating a need for service.**

-
- **Power and extension cords**
 - **Do not allow anything to rest on the power cord.**
 - **Do not locate this product where persons will walk on the cord.**
 - Use the proper power cord with correct attachment plug type. If the power source is 120 V AC, use a power cord that has UL and C-UL approvals. If the power source is a 240 V AC supply, use the tandem (T blade) type attachment plug with ground conductor power cord that meets the respective European country's safety regulations, such as VDE for Germany.
 - **Do not overload wall outlets or power cords. Ensure that the total of all units plugged into the wall outlet does not exceed 10 amperes.**
 - Ensure that the total ampere ratings on all units plugged into the extension cord is not above the cord's rating.
 - If the power supply cord, which came with your monitor, is to be connected to the PC instead of the wall outlet, this equipment is to be used with UL/TÜV approved computers with receptacle rated 240V AC, 4.0A (minimum).
 - **Environment**
 - **Place the monitor on a flat and leveled surface.**
 - **Place the monitor in a well-ventilated place.**
 - **Keep the monitor away from: overly hot, cold or humid places, places directly under sunlight, dusty surroundings, equipment that generate strong magnetic fields.**

Product Description

Congratulations on your purchasing this new generation of monitor. Your LCD monitor incorporates high quality display into a small light weighted module. It has power-saving capabilities and emits no X-ray radiation. You will certainly benefit from this monitor in lots of ways; to name some of them, comfort, safety, health, and environmental protection.

This LCD monitor incorporates 12.1" color active matrix thin-film-transistor (TFT) liquid crystal display to provide superior display performance. A maximum resolution of SVGA 800x600 is ideal for displaying graphics and images. Other outstanding designs that enhance this LCD monitor's performance are Plug & Play compatibility, and OSD (On Screen Display) controls.

Package Contents

Included with your LCD monitor are following items:

- **12.1" TFT liquid crystal monitor**
- **D-sub 15 pin signal cable**
- **Power Adapter**
- **Power cord**
- **User's manual**
- **Video signal cable (optional)**
- **RS232 cable for touch screen (optional)**

Product Features

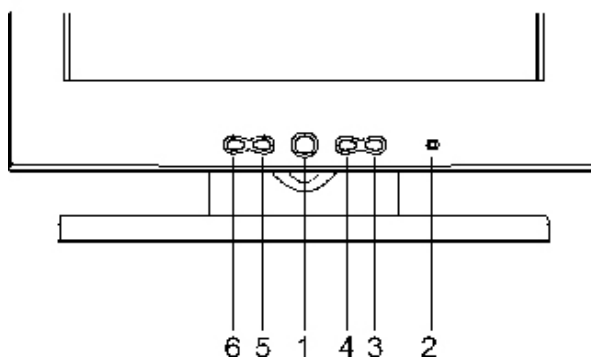
- **High contrast color TFT LCD display support resolution up to SVGA 800x600. Compatible with IBM VGA and VESA.**
- **Power management system conforms to VESA DPMS standard.**
- **Universal power adapter.**
- **Support DDC1/2B for Plug & Play compatibility.**
- **Advanced OSD control for picture quality adjustment.**
- **Detachable stand for wall-mounting application.**
- **Optional video-in function.**
- **Optional touch screen function.**

Cleaning

- **Gently wipe the screen with a clean camel hair lens brush, or a soft, clean, lint-free cloth. This removes dust and other particles that can scratch the screen.**
- **Do not apply pressure to the screen surface when wiping it clean.**
- **Do not pour or spray any liquid directly onto the screen or case of the LCD monitor. Chemical cleaners have been reported to damage the screen or case of the LCD monitor.**

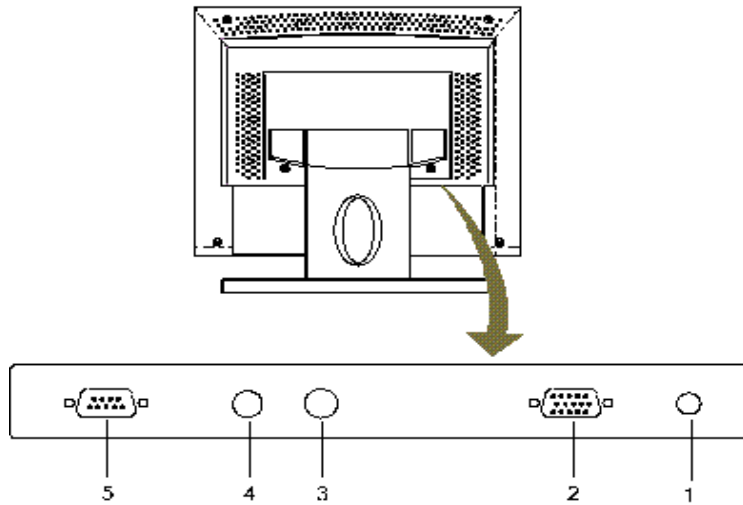
Taking a Look

Front View



1. Power Switch Pressing this button turns the display system power on or off.
2. Power LED This LED indicates different status when this unit operates in different modes.
3. Menu/Select Up Pressing this button pops up the OSD menus on the screen, and used to select (“Up” direction) the OSD control options on the screen.
4. Menu/Select Down Pressing this button pops up the OSD menus on the screen, and used to select (“Down” direction) the OSD control options on the screen.
5. + This button is used to adjust the increasing value of the selected OSD control option.
6. - (1) This button is used to adjust the decreasing value of the selected OSD control option. (2) used to select input source when the OSD “main menu” function is off (for model with video-in function only).

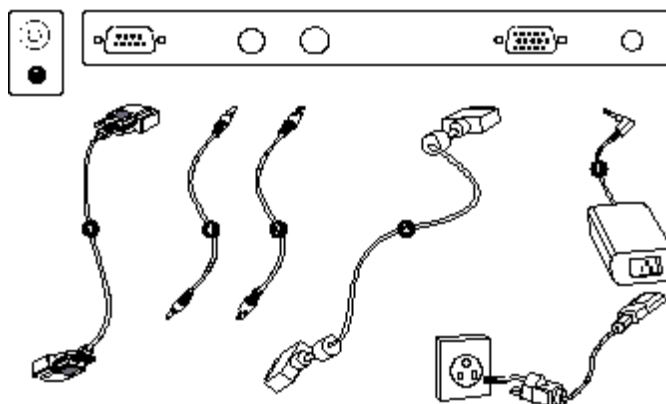
Rear View



1. Power Connector **This is for connecting the power adapter.**
2. Signal Connector **This can be connected with the D-sub 15 pin signal connector.**
3. Video In (S) **This can be connected with the video-in S connector. (Not Available)**
4. Video In (RCA) **This can be connected with the video-in RCA connector. (Not Available)**
5. Touch **This is for connecting the touch panel RS232 connector. (optional)**

Setting Up

WARNING When you disconnect the cord/cables, be sure to hold the connector instead of the wire part.

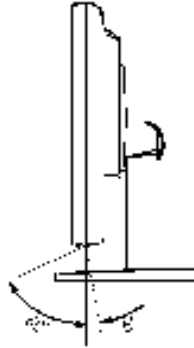


1. Connect one end of the power adapter to the monitor and the other end to the connector of the power cord.
2. Connect one end of the signal cable to the rear side of computer and the other to the LCD monitor. Tighten by turning clockwise the two thumb screws to ensure proper grounding.
5. Connect one end of the touch (RS232) cable to the rear side of computer and the other to the LCD monitor. Tighten by turning clockwise the two thumb screws to ensure proper grounding. (optional module)
6. Pressing the power button on front panel turns the display system power on.

Display Angle

Tilting

For viewing clarity, you can tilt the LCD forward (up to -5 degrees) or backward (up to 60 degrees.)



CAUTION In order to protect the LCD, be sure to hold the base when you adjust the LCD, and, **do not** touch the screen.

Controls and Adjustment

Adjusting with the OSD Control

- To Display and Select the OSD Functions:
 - Pressing **Up** once pops up the OSD function main menu.
 - Pressing **Down** a second time to select the different OSD control option.



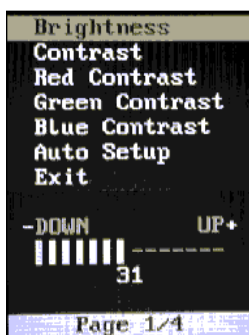
- To Adjust the Value of the Control Option:

Pressing **+ / -** button changes the value of the selected OSD control option.



After adjusting values, the monitor will automatically save the changes

OSD Control Options

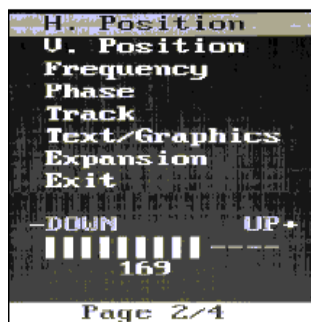


OSD Menu Page 1/4

- *BRIGHTNESS*
Adjust the brightness using + and - buttons.
- *CONTRAST / RED, GREEN, BLUE CONTRAST*

Adjust the contrast using + and - buttons, or adjust the values of color gain (RED, GREEN or BLUE) using + and - buttons.

- *AUTO SETUP*
Press + buttons to make LCD monitor adjust the related parameters automatically for optimal display status.



OSD Menu Page 2/4

- *H. POSITION (HORIZONTAL POSITION)*

Pressing + moves the display image to the right; Pressing - moves the display image to the left.

- *V. POSITION (VERTICAL POSITION)*

Pressing + moves the display image upward; Pressing - moves the display image downward.

FREQUENCY

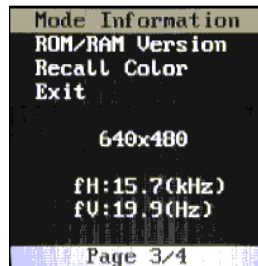
This item is used to decrease the vertical interference.

1. Select one display pattern from your computer.
 2. Use + and - buttons on the LCD monitor to decrease the vertical interference to get the optimal display.
- *PHASE*

This item is used to decrease the horizontal interference.

1. Select one display pattern from your computer.
 2. Use + and - buttons on the LCD monitor to decrease the horizontal interference to get the optimal display.
- *TRACK* Adjust the track using + and - buttons.
 - *TEXT / GRAPHICS* Select "Text" or "Graphics" display in special mode.
 - *EXPANSION*

Select "Expansion" to make the image in full screen display when the resolution is lower than 800 x 600.



OSD Menu Page 3/4

- *MODE INFORMATION*

OSD will show the current display mode (resolution, vertical frequency and horizontal frequency) on the menu.

- *ROM / RAM VERSION*

OSD will show the current ROM / RAM VERSION (resolution, vertical frequency and horizontal frequency) on the menu.

- *RECALL COLOR* Pressing + or - buttons to recall color preset values.

Power LED Display & Power Saving

General Power Saving Mode

When the power switch are switch on, this LED lights in green.

The LED indicates the different power status with altered LED colors when monitor operates in different modes (see following table).

Mode	Power LED Color	Power Consumption	H. / V. Sync.
On	Green	25W	On
Off	Orange	<8W	Off

We recommend to switch off the monitor when it is not use for quite a long time.

Troubleshooting

The monitor does not respond after you turn on the system.

- **Check if the Power Switch of monitor is turned on.**
- **Turn off the power and check the monitor's power cord and signal cable for proper connection.**

The characters on the screen are dim.

- **Refer to the *Controls and Adjustments* section to adjust the brightness.**

The screen is blank.

- **During operation, the monitor screen may automatically turn off as a result of Power Saving feature. Press any key to see if the screen comes back.**
- **Refer to the *Controls and Adjustments* section to adjust the brightness.**

The screen flashes when it's initialized.

- **Turn off the monitor and turn it on again.**

Display Modes

Mode	Resolution (H x V)	H. Freq. (KHz)	V. Freq. (Hz)	Pol.
1	640 x 350	31.5	70	+/-
2	640 x 350	37.9	85	+/-
4	720 x 400	31.5	70	-/+
5	720 x 400	37.9	85	-/+
6	640 x 480	31.5	60	-/-
8	640 x 480	37.9	72	-/-
9	640 x 480	37.5	75	-/-
10	640 x 480	43.3	85	-/-
11	800 x 600	35.1	56	+/+
12	800 x 600	37.9	60	+/+
13	800 x 600	48.1	72	+/+
14	800 x 600	46.9	75	+/+
15	800 x 600	53.7	85	+/+

AGM12TG Specifications

AGM12TG	
LCD Panel	30.8cm/12.1-inch Color TFT Panel
Type	Active Matrix
Resolution	800 dots x 600 lines (Recommended)
Pixel Pitch	0.30mm
Display Color	16 million colors (Dithering ON)
Response Time	40ms
Color Tone	64 tone
Color Filter	RGB vertical stripe type
Face Finishing	Anti-Glare Hard Coated
Viewing Angle	100 H 60 V
Video	0.7Vp-p analog RGB
Input Signal	
Sync	2.5~5.0Vp-p separated sync
Input Impedance	Video - 75 Ohm Sync - 1k Ohm
Scanning Frequency	
Horizontal	24~40kHz
Vertical	43~85Hz
Display Size	
H x V	9.68" x 9.27" (246mm x 184.8mm)
Brightness, Contrast Ratio, Gray Scales	
Brightness	120 cd/m2 Standard (Optional 250cd/m2) Touch Screen Option: IntelliTouch 108 cd/m2, AccuTouch 95 cd/m2
Contrast Ratio	100:1 Typ.
Gray Scales	64 steps
Signal Input Connector	
Video	DB9-15pin
Touchscreen	RS-232 DB-9 (Optional)
Temperature Environment	
Operating Temperature	41 ~ 95 F (5 - 35 C)
Storage Temperature	-4 ~ 140 F (-20 - 60 C)
Humidity	Operating: 20 ~ 80%RH (without condensation) Storage: 10 ~ 90%RH (without condensation)
Power Source	
Display Monitor	DC 12V
AC-Adapter	AC110~240V 35W (Without option, Normal Operation)
Regulations	
Safety and EMC	UL/cUL, FCC, CE
Cabinet	
Desktop Stand	12.3" (W) x 12.2" (H) x 6.49" (D) 310mm (W) x 312mm (H) x 146mm (D)
Weight	
Desktop Stand	8.3 lb (3.7Kg) 11.3 lb (5.1Kg) with touch screen
Free Mount	4.8 lb (2.2Kg)
Tilt Base	
	-10 Down 40 Up
Optional Module	
	Touch Panel